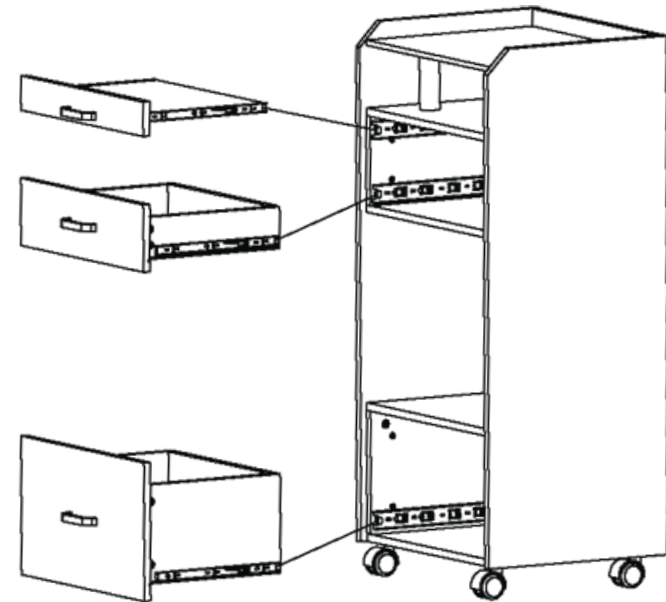


MK MAYAKOBA
GLASGLOW
SPA TROLLEY

MODEL: DPI-TRLY-5154-A
DPI-TRLY-5154-B



Thank you very much for purchasing our product.



CONTACT US



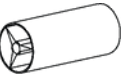
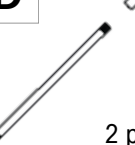






☎ 972-926-6488

✉ service@aycllc.com

🌐 www.aycllc.com

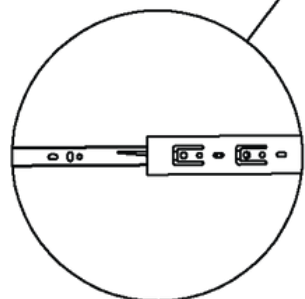
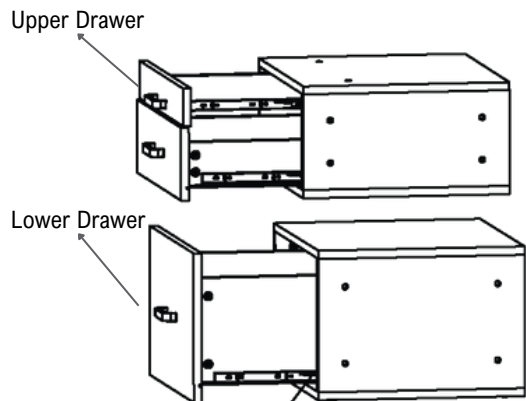
ASSEMBLY INSTRUCTIONS

Part List:

A  2 pcs	B  8 pcs	C  2 pcs	D  2 pcs	E  2 pcs
F  4 pcs	G  with lock 2 pcs	H  16 pcs	I  1 pc	J  2 pcs

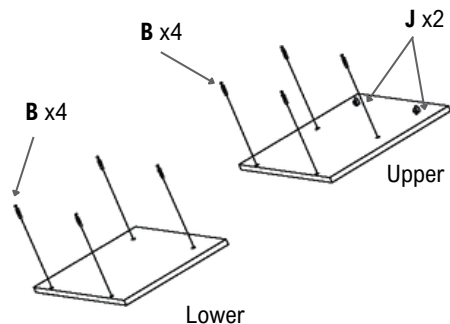
STEP 1:

Remove all drawers first before assembly.



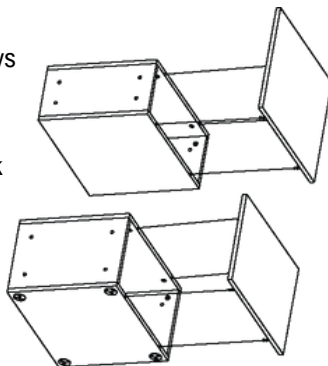
- Push left side lever up and right side lever down.
- Pull out the drawer to remove while holding levers in up/down position

STEP 2: BACK PANEL



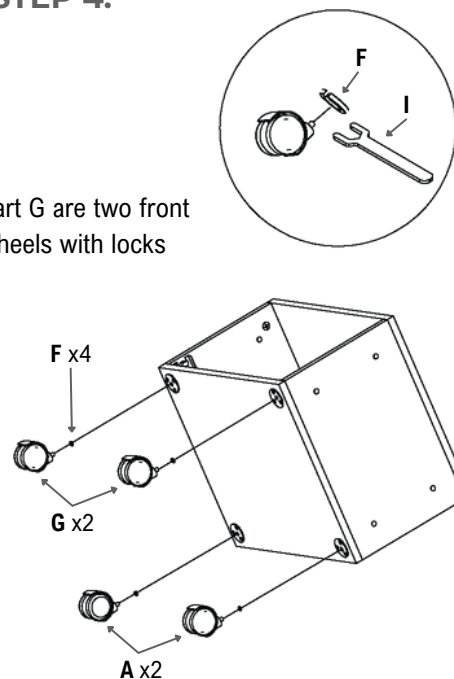
STEP 3:

Align cam screws then turn cam lock to tighten and secure back panels



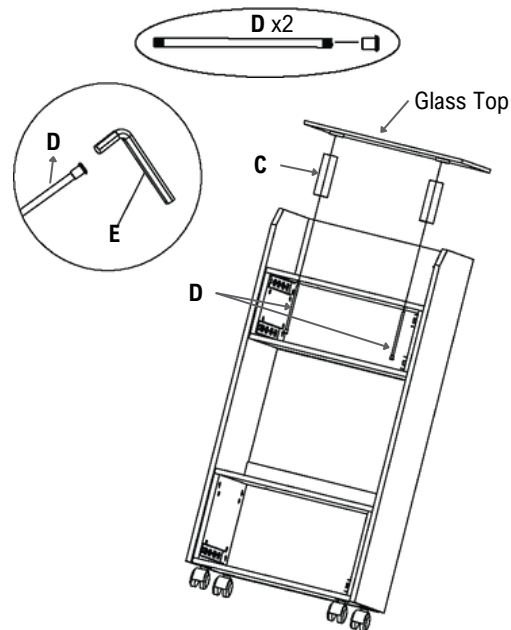
STEP 4:

Part G are two front wheels with locks



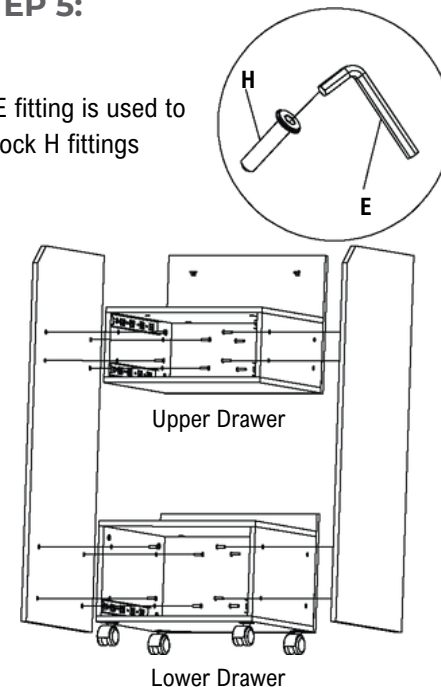
STEP 6:

The D fitting consist of a long bolt and a connector nut



STEP 5:

E fitting is used to lock H fittings



STEP 7:

Put the drawers back to the cabinet

